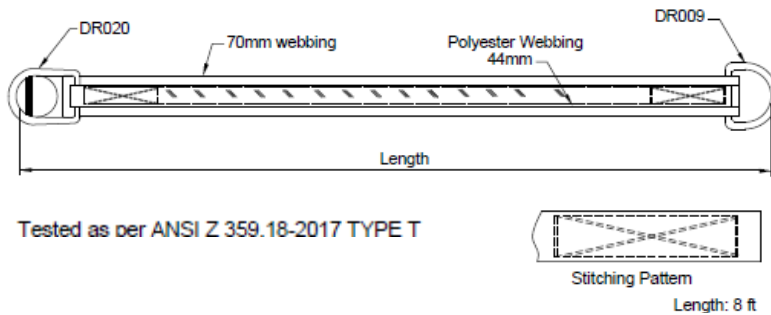


RTZ1003008

8' CROSS ARM STRAP

The Ritz Fall Protection Cross Arm Strap is a reliable safety equipment designed for anchorage on cross arms or other structures during work at height activities. This fall protection accessory is a reliable and robust piece of safety equipment, offering protection and comfort during work at height activities.



Tested as per ANSI Z 359.18-2017 TYPE T

FEATURES

- The strap features a 44 mm wide polyester webbing stitched with 70mm webbing on the back
- Webbing materials provide durability and stability
- The stitching thread ensures strength and stability in the strap
- The metal components provide rust-resistance and durability in harsh environments
- The strap has a static strength of 5000lbs for 1 minute, ensuring its ability to withstand significant weight
- Lightweight design allows for greater flexibility and ease of use during work at height activities

TECH SPECS

Webbing Material	Polyester
Webbing Width	44±1mm / 70±1mm
Webbing Breaking Strength	5000 lbs
Stitching Thread Material	High-tenacity polyester
Metal Material	Alloy Steel
Metal Finish	Golden Yellow Galvanized
Breaking Strength	5000 lbs
Static Strength	5000 lbs for 1 Minute
Length	8 ft
Weight	61200 gms ± 10 gms

STANDARDS

Tested as per ANSI Z 359.18-2017 TYPE T